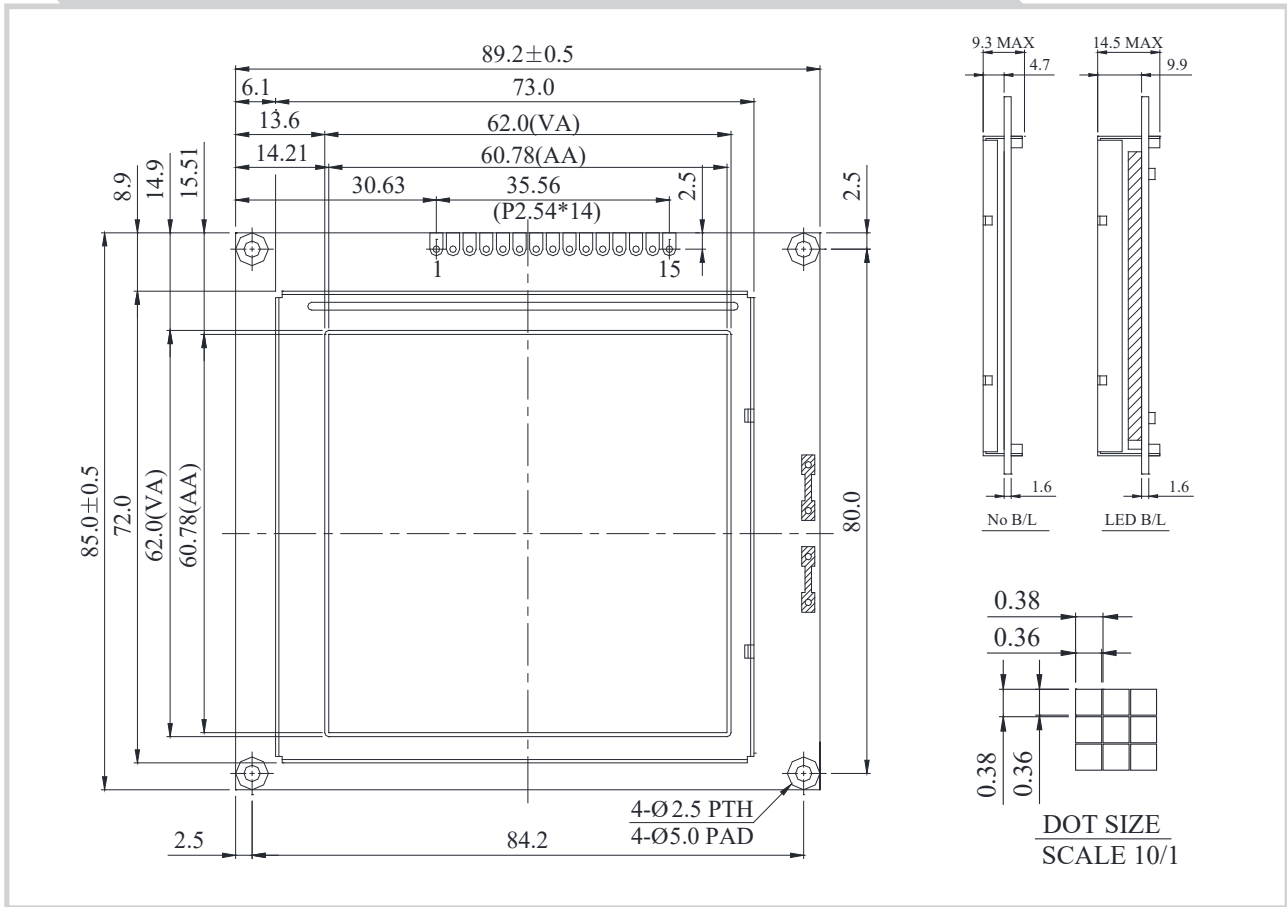


NTG160160A Graphic 160x160 dots



Feature

1. No controller
2. 5V power supply
3. 1/160 duty cycle

Pin No.	Symbol	Description
1	VSS	Ground
2	M	Frame reverse signal(alternate signal)
3	FLM	Scan start-up signal
4	CL1	Data latch pulse
5	CL2	Data shift pulse
6	DB3	Data bus line
7	DB2	Data bus line
8	DB1	Data bus line
9	DB0	Data bus line
10	VEE	Negative Voltage Output
11	VDD	Power supply for logic
12	VO	Contrast Adjustment
13	DISP OFF	Display off H:ON L:OFF
14	A	Power supply for B/L +
15	K	Power supply for B/L -

Mechanical Data

Item	Standard Value	Unit
Module Dimension	89.2 x 85.0	mm
Viewing Area	62.0 x 62.0	mm
Mounting Hole	84.2 x 80.0	mm
Dot Pitch	0.38 x 0.38	mm
Dot Size	0.36 x 0.36	mm

Electrical Characteristics

Item	Symbol	Standard Value	Unit
		typ.	
Input Voltage	VDD	3/5	V
Recommended LCD Driving Voltage for Normal Temp. Version module @25°C	VDD-VO	18.75	V