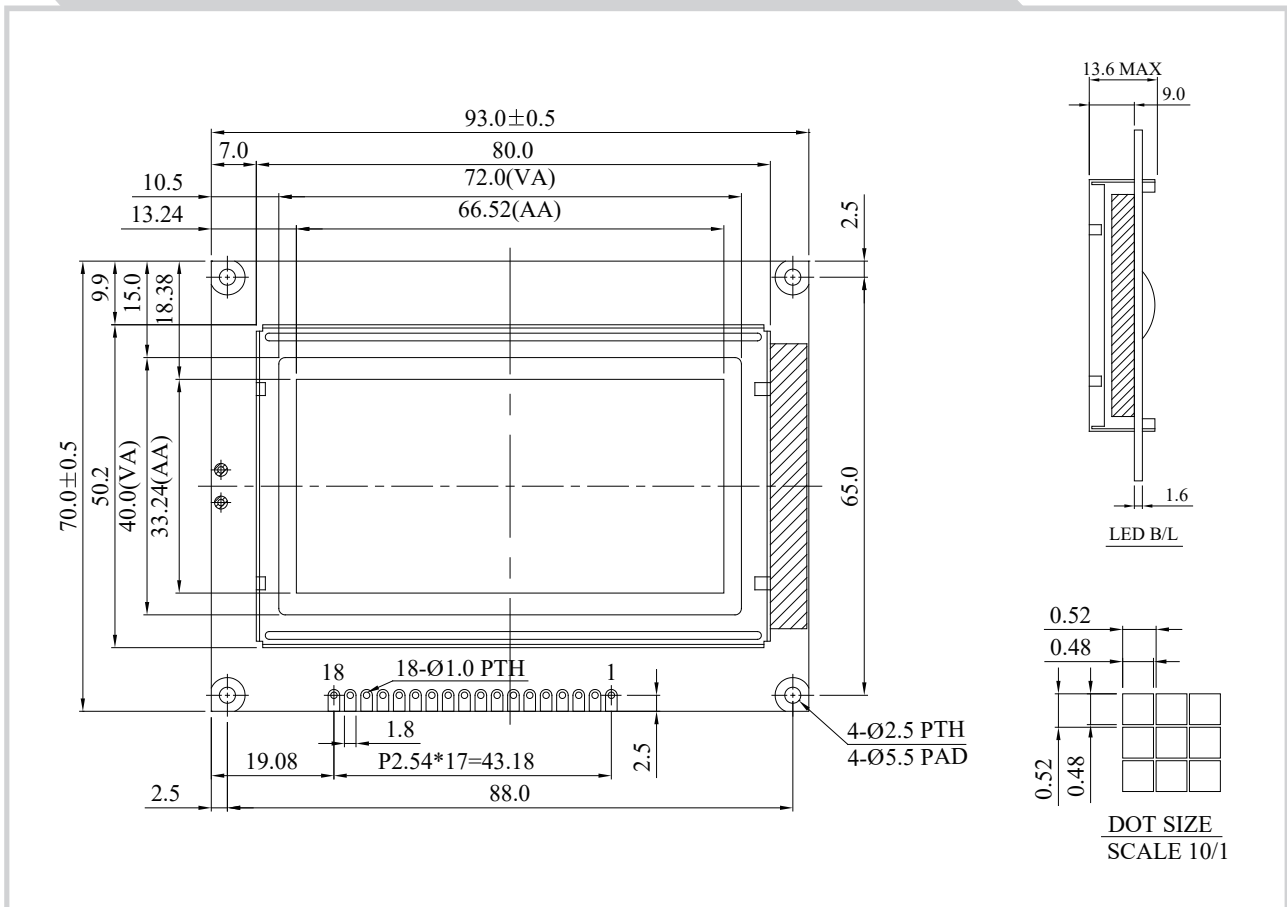


# NTG12864J3/J5 Graphic 128x64 dots



## Feature

1. Built-in controller ST7920
2. +3.3V power supply
3. 1/64 duty cycle
4. Negative voltage option
5. Chinese version
6. Interface: 6800/SPI

Pin No.	Symbol	Description
1	V <sub>SS</sub>	Ground
2	V <sub>DD</sub>	Power supply for logic
3	V <sub>O</sub>	Contrast Adjustment
4	RS	Data/ Instruction select signal
5	RW	Read/Write select signal
6	E	Enable signal
7	DB0	Data bus line
8	DB1	Data bus line
9	DB2	Data bus line
10	DB3	Data bus line
11	DB4	Data bus line
12	DB5	Data bus line
13	DB6	Data bus line
14	DB7	Data bus line
15	A	Power supply for B/L +
16	K	Power supply for B/L -
17	RST	Controller reset signal, Active Low
18	Vout	Positive Voltage output

## Mechanical Data

Item	Standard Value	Unit
Module Dimension	93.0 x 70.0	mm
Viewing Area	72.0 x 40.0	mm
Mounting Hole	88.0 x 65.0	mm
Dot Pitch	0.52 x 0.52	mm
Dot Size	0.48 x 0.48	mm

## Electrical Characteristics

Item	Symbol	Standard Value	Unit
		typ.	
Input Voltage	VDD	---	V
Recommended LCD Driving Voltage for Normal Temp. Version module @25°C	V <sub>O</sub> -V <sub>SS</sub>	4.60	V