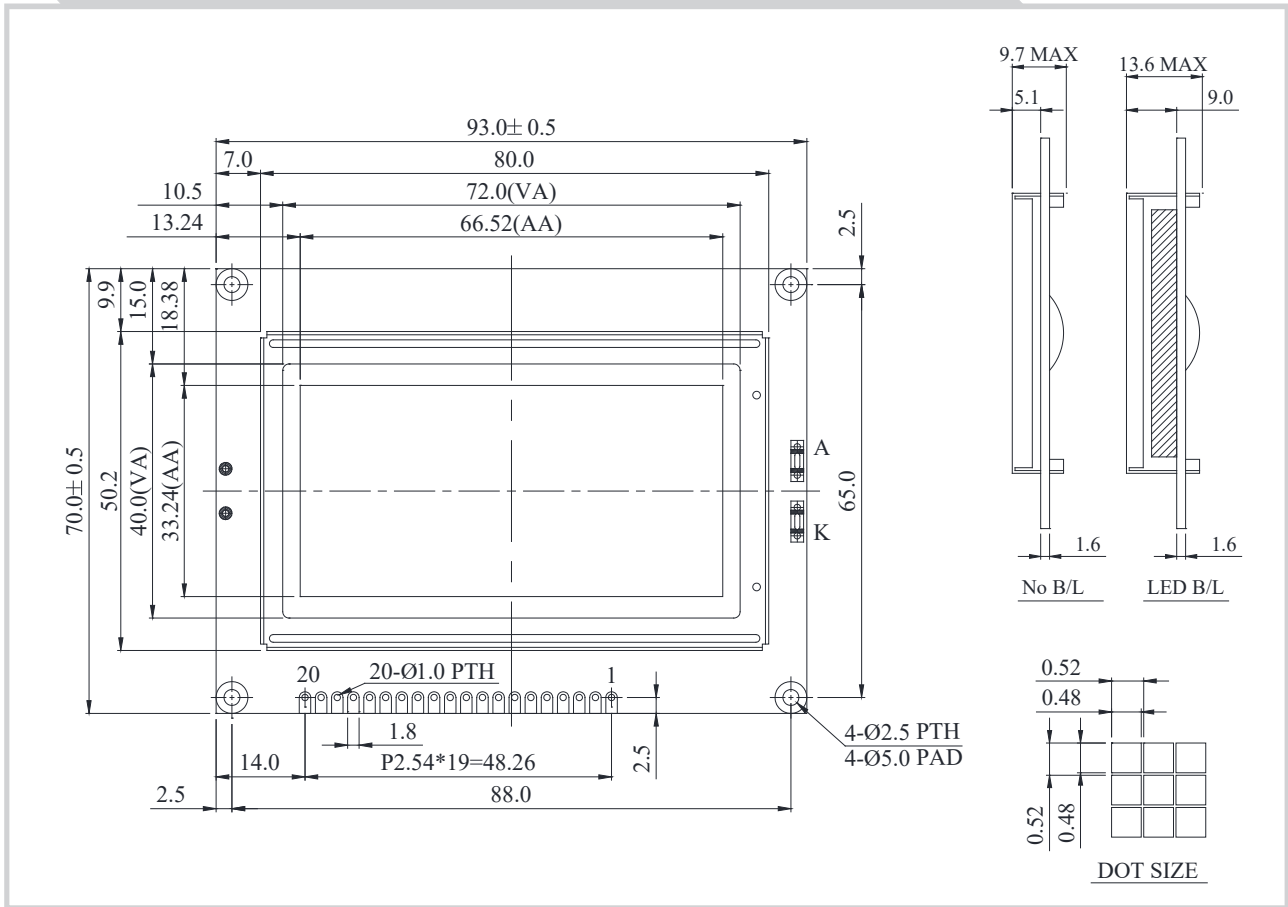


NTG12864A Graphic 128x64 dots



Feature

1. Built-in controller (NT 7108 or equivalent)
2. 5V power supply
3. 1/64 duty cycle
4. NTG12864AB: N.V. option for 3.3V
5. NTG12864A1: double-row interface

Pin No.	Symbol	Description
1	V _{SS}	Ground
2	V _{DD}	Power supply for logic
3	V _O	Contrast Adjustment
4	D/I	Data/ Instruction select signal
5	R/W	Read/Write select signal
6	E	Enable signal
7	DB0	Data bus line
8	DB1	Data bus line
9	DB2	Data bus line
10	DB3	Data bus line
11	DB4	Data bus line
12	DB5	Data bus line
13	DB6	Data bus line
14	DB7	Data bus line
15	CS1	Select Column 1~ Column 64
16	CS2	Select Column 65~ Column 128
17	/RES	Controller reset signal, Active Low
18	V _{EE}	Negative Voltage Output
19	A	Power supply for B/L +
20	K	Power supply for B/L -

Mechanical Data

Item	Standard Value	Unit
Module Dimension	93.0 x 70.0	mm
Viewing Area	72.0 x 40.0	mm
Mounting Hole	88.0 x 65.0	mm
Dot Pitch	0.52 x 0.52	mm
Dot Size	0.48 x 0.48	mm

Electrical Characteristics

Item	Symbol	Standard Value	Unit
		typ.	
Input Voltage	V _{DD}	5.0	V
Recommended LCD Driving Voltage for Normal Temp. Version module @25°C	V _{DD-VO}	8.90	V