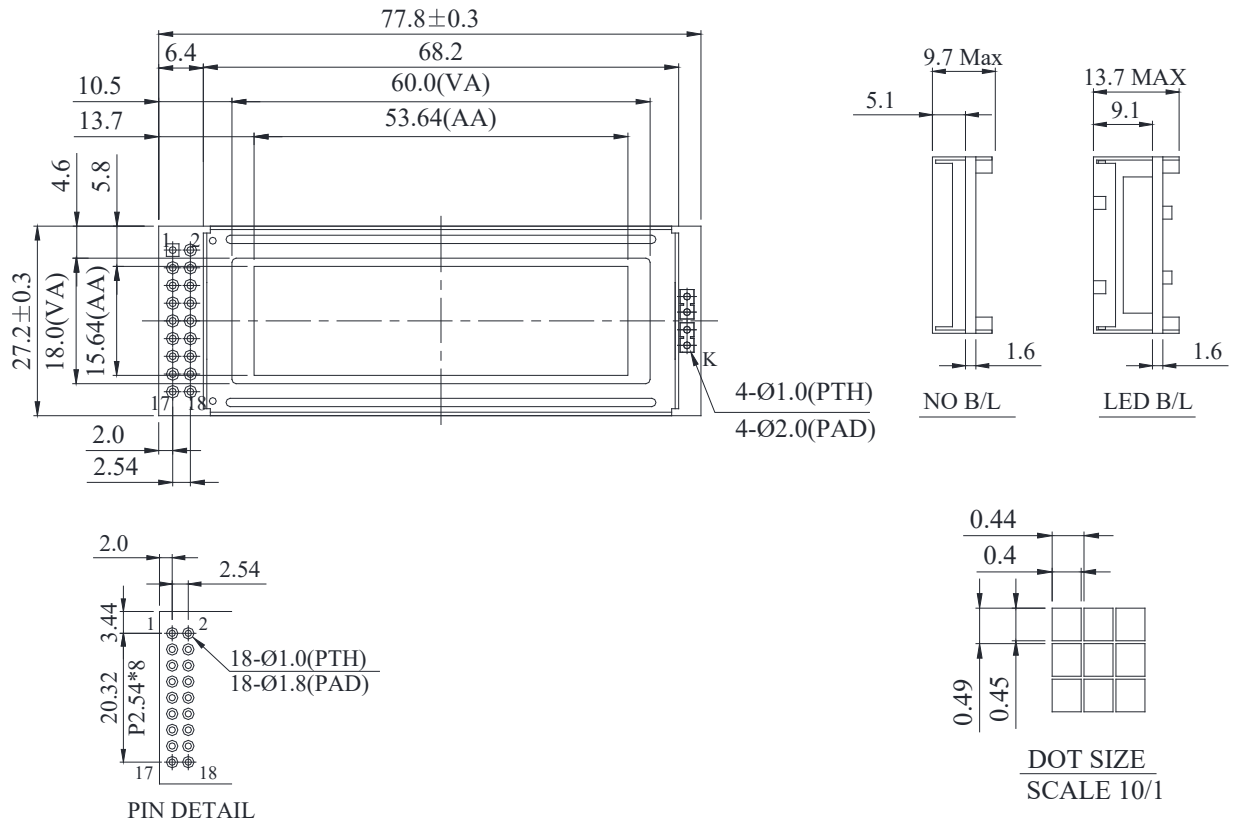


NTG122320 Graphic 122x32 dots



Feature

1. Built-in controller Avant (SBN1661G or equivalent)
2. 1/32 duty cycle
3. White LED backlight only
4. Interface: 6800

Pin No.	Symbol	Description
1	V _{SS}	Ground
2	V _{dd}	Power supply for logic
3	V _O	Contrast Adjustment
4	A0	Data/ Instruction select signal
5	E1	Enable signal
6	E2	Enable signal
7	NC/CL	No connection / External clock 2KHz
8	NC/E	No connection / Enable signal
9	R/W	Read/Write select signal
10	DB0	Data bus line
11	DB1	Data bus line
12	DB2	Data bus line
13	DB3	Data bus line
14	DB4	Data bus line
15	DB5	Data bus line
16	DB6	Data bus line
17	DB7	Data bus line
18	/RST	Controller reset signal, Active Low

Mechanical Data

Item	Standard Value	Unit
Module Dimension	77.8 x 27.2	mm
Viewing Area	60.0 x 18.0	mm
Dot Pitch	0.44 x 0.49	mm
Dot Size	0.40 x 0.45	mm

Electrical Characteristics

Item	Symbol	Standard Value	Unit
		typ.	
Input Voltage	VDD	3/5	V
Recommended LCD Driving Voltage for Normal Temp. Version module @25°C	VDD-VO	4.45	V