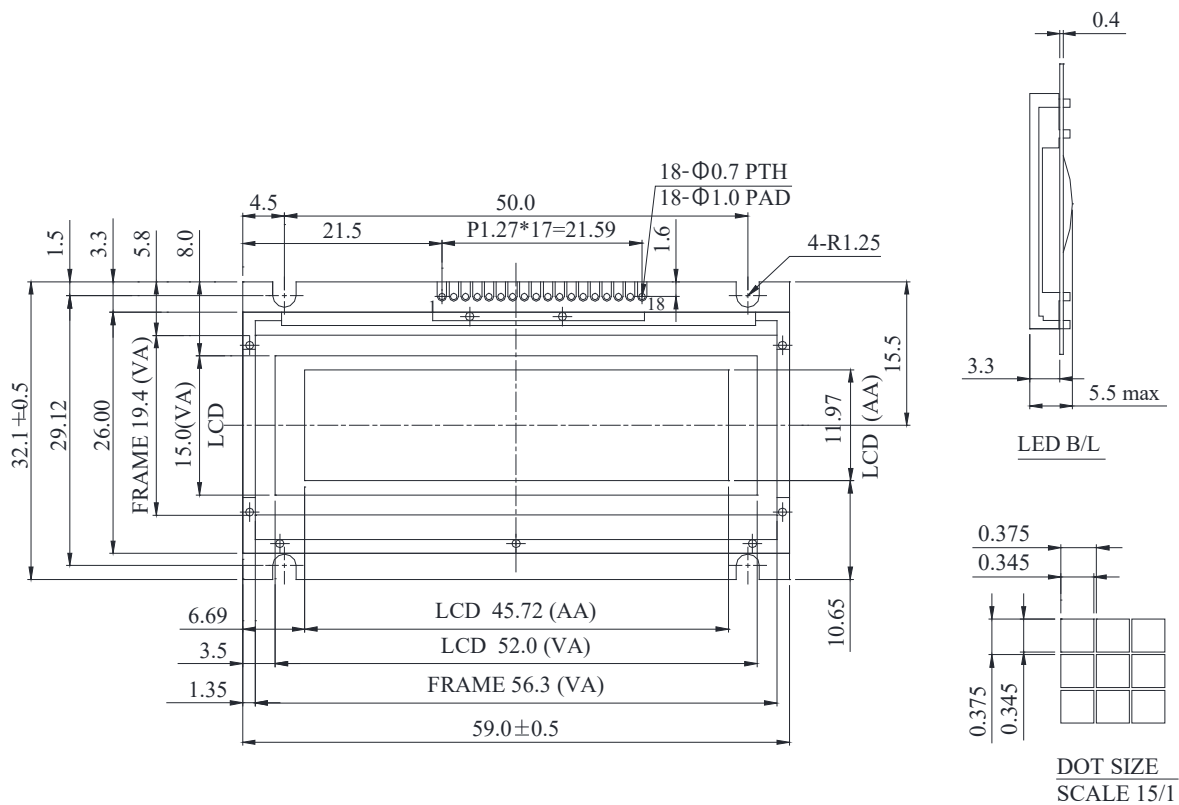


NTG12232K Graphic 122x32 dots



Feature

1. Built-in controller Avant (SBN1661G or equivalent)
2. 1/32 duty cycle
3. White LED backlight not available

| Pin No. | Symbol | Description |
|---------|-----------------|---------------------------------|
| 1 | NC | No connection |
| 2 | V _{SS} | Ground |
| 3 | V _{DD} | Power supply for logic |
| 4 | V _O | Contrast Adjustment |
| 5 | A0 | Data/ Instruction select signal |
| 6 | E1 | Enable signal |
| 7 | E2 | Enable signal |
| 8 | DB0 | Data bus line |
| 9 | DB1 | Data bus line |
| 10 | DB2 | Data bus line |
| 11 | DB3 | Data bus line |
| 12 | DB4 | Data bus line |
| 13 | DB5 | Data bus line |
| 14 | DB6 | Data bus line |
| 15 | DB7 | Data bus line |
| 16 | R/W | Read/Write select signal |
| 17 | V _{EE} | Negative Voltage Output |
| 18 | A | Power supply for B/L + |

Mechanical Data

| Item | Standard Value | Unit |
|------------------|----------------|------|
| Module Dimension | 59.0 x 32.1 | mm |
| Viewing Area | 52.0 x 15.0 | mm |
| Mounting Hole | 50.0 x 29.12 | mm |
| Dot Pitch | 0.375 x 0.375 | mm |
| Dot Size | 0.345 x 0.345 | mm |

Electrical Characteristics

| Item | Symbol | Standard Value | Unit |
|---|--------------------|----------------|------|
| | | typ. | |
| Input Voltage | V _{DD} | 5.0 | V |
| Recommended LCD Driving Voltage for Normal Temp. Version module @25°C | V _{DD-VO} | 4.70 | V |