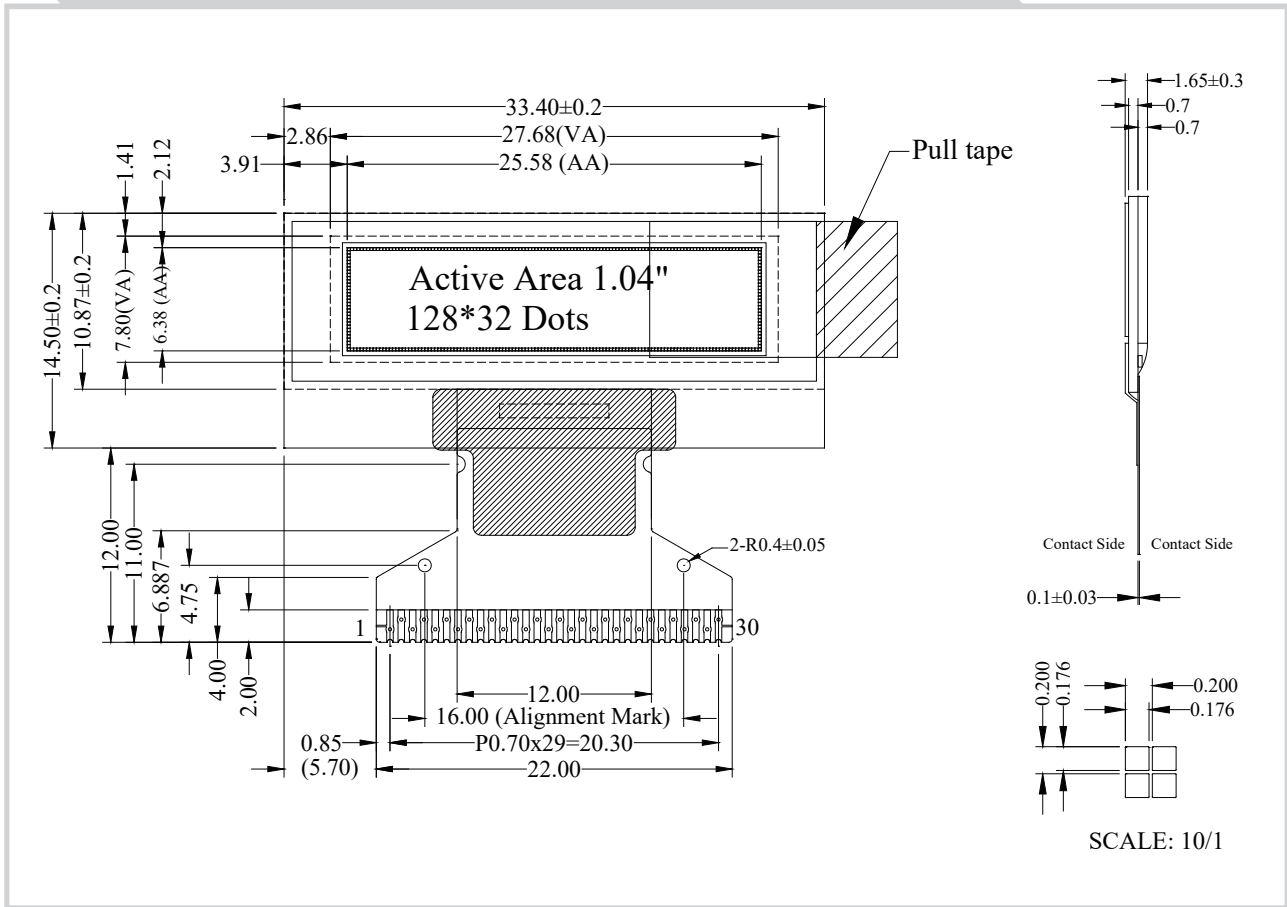


NTE0012832E OLED Graphic 128x32 dots



Feature

1. 128*32 Dot Matrix
2. Built-in controller SSD1306BZ
3. +3V Power supply
4. 1/32 duty
5. Interface: 6800, 8080, SPI, I2C
6. Polarizer optional

Pin No.	Symbol	Description
1	NC	No Connection
2	C2N	Charge pump capacitor
3	C2P	Charge pump capacitor
4	C1P	Charge pump capacitor
5	C1N	Charge pump capacitor
6	VBAT	Charge pump regulator
7	NC	No Connection
8	VSS	Ground Pin
9	VDD	Voltage for logic
10	BS0	Interface selection
11	BS1	Interface selection
12	BS2	Interface selection
13	CS#	Chip Select Pin
14	RES#	Reset Signal Pin
15	D/C#	Data/Command Control Pin
16	R/W#	Read/Write Control
17	E/RD#	Chip Enable Signal
18~25	D0~D7	Data Bus
26	IREF	SEG output current refer pin
27	VCOMH	COM deselected level
28	VCC	Panel driving voltage
29	VLSS	Analog system ground pin
30	NC	No Connection

Mechanical Data

Item	Standard Value	Unit
Module Dimension	33.40 x 14.50	mm
Viewing Area	27.68 x 7.80	mm
Active Area	25.58 x 6.38	mm
Dot Pitch	0.20 x 0.20	mm
Dot Size	0.176 x 0.176	mm

Electrical Characteristics

Item	Symbol	Condition	Standard Value			Unit
			min.	typ.	max.	
Input Voltage	VDD	---	2.8	3.0	3.3	V