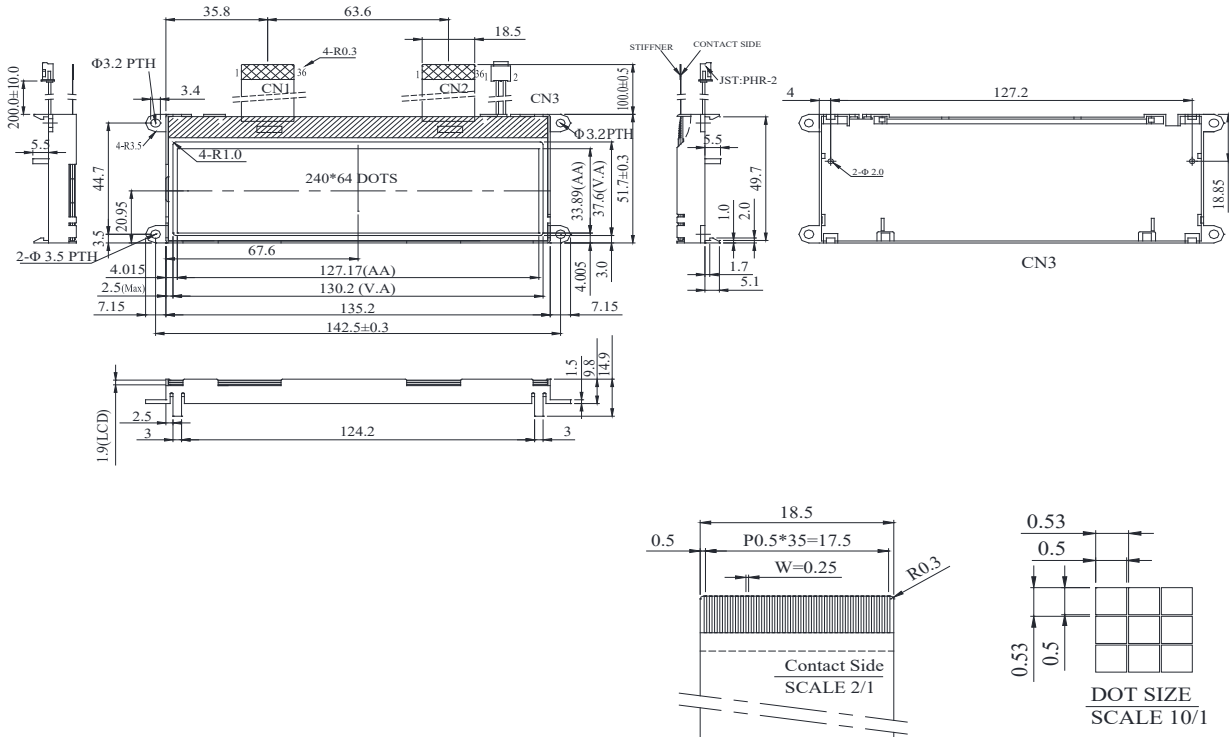


NTO24064A1 Graphic 240x64



Feature

1. 240x64 dots includes cursor
2. Built-in controller ST7565P
3. 3.3V power supply

Pin No.	Symbol	Description
1	NC	No connection
2	FR	Scan start-up signal
3	CL	External clock 2KHZ
4	/DOF	This is the LCD blanking control terminal.
5	/CS1	The chip select signal
6	CS2	The chip select signal
7	/RES	Controller reset signal, Active Low
8	A0	Data/ Instruction select signal
9	/WR	Data write. Write data into LCD Controller
10	/RD	Data read. Read data from LCD Controller
11~18	DB0~DB7	Data bus line
19	V _{DD}	Power supply for logic
20	V _{SS}	Ground
21	V _{out}	Positive Voltage output
22	C3+	DC/DC voltage converter.
23	C1-	DC/DC voltage converter.
24	C1+	DC/DC voltage converter.
25	C2+	DC/DC voltage converter.
26	C2-	DC/DC voltage converter.
27	V4	Bias voltage levels for LCD driving
28	V3	Bias voltage levels for LCD driving
29	V2	Bias voltage levels for LCD driving
30	V1	Bias voltage levels for LCD driving
31	V0	Bias voltage levels for LCD driving
32	VR	LCD Contrast Adjustment when IRS = "L"
33	C86	Interface selection 6800/8080
34	P/S	Selects the interface type: Serial or Parallel.
35	NC	No connection
36	NC	No connection

Mechanical Data

Item	Standard Value	Unit
Module Dimension	142.5 x 51.7	mm
Viewing Area	130.2 x 37.6	mm
Mounting Hole	135.2 x 44.7	mm
Dot Pitch	0.53 x 0.53	mm
Dot Size	0.50 x 0.50	mm

Electrical Characteristics

Item	Symbol	Standard Value	Unit
		typ.	
Input Voltage	VDD	3.3	V
Recommended LCD Driving Voltage for Normal Temp. Version module @25°C	V _o -V _{ss}	11.0	V