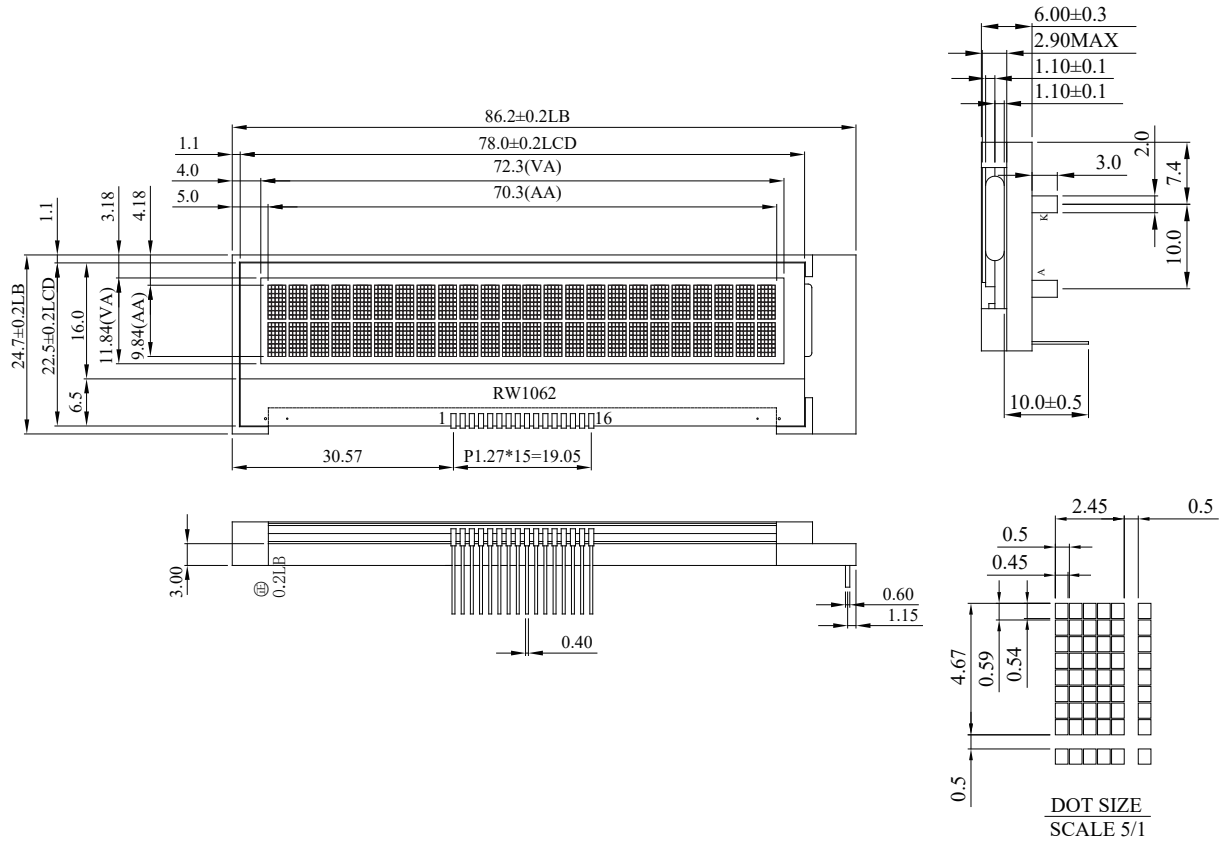


NTO2402A Character 24x2



Feature

1. 1.5x8 dots includes cursor
2. Built-in controller RW1062
3. 3V/5V power supply
4. 1/17 duty cycle

Pin No.	Symbol	Description
1	/XRESET	Controller reset signal, Active Low
2~6	V0~V4	Bias voltage levels for LCD driving
7	D6(SID)	Serial input data
8	D7(SCLK)	Serial clock input
9	V _{SS}	Ground
10	V _{DD}	Power supply for logic
11	Vout	Positive Voltage output
12	CAP2N	DC/DC voltage converter.
13	CAP2P	DC/DC voltage converter.
14	CAP1P	DC/DC voltage converter.
15	CAP1N	DC/DC voltage converter.
16	VR	LCD Contrast Adjustment when IRS = "L"

Mechanical Data

Item	Standard Value	Unit
Module Dimension	86.2 x 24.7	mm
Viewing Area	72.3 x 11.84	mm
Dot Pitch	0.50 x 0.59	mm
Dot Size	0.45 x 0.54	mm

Electrical Characteristics

Item	Symbol	Standard Value	Unit
		typ.	
Input Voltage	VDD	3/5	V
Recommended LCD Driving Voltage for Normal Temp. Version module @25°C	Vo-Vss	4.50	V